

REF WWV90TT



Rx ONLY

For use by or on the order of a licensed veterinarian.



Attention, see operation manual for additional instructions for use.

CDS9000 Table Top Kit Assembly Instructions to be used with WWV9000, WWV9001, or WWV9002 Converting from a Pole Mount to a Table Top

Pole Mount Arm Removal Instructions

1. Remove vaporizer from machine.

WARNING! Do not tilt vaporizer. It is recommended to drain vaporizer before removing from machine.

2. Hold the machine head firmly and remove the two (2) 3/4" button head screws.

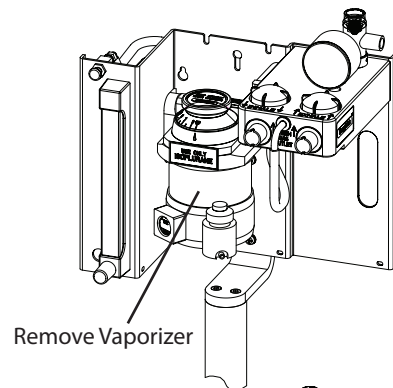
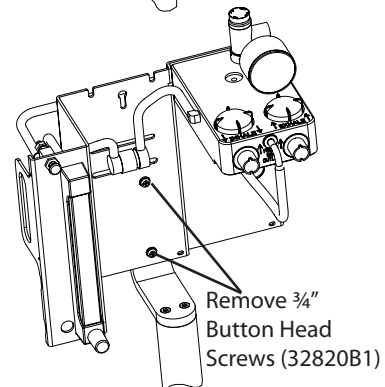


Table Top Base Assembly Instructions

1. Place base underneath machine head.
2. Align holes in machine head with pem nuts on the base.
3. Install the four (4) 8-32 x 1/2" button head screws and thread into the pem nuts.

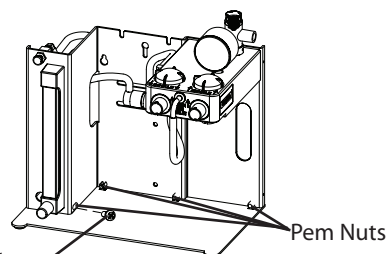
NOTE: Be careful not to cross thread.

4. Tighten the four (4) 3-32 x 1/2" button head screws firmly using a 3/32 Allen Wrench.
5. Install vaporizer.

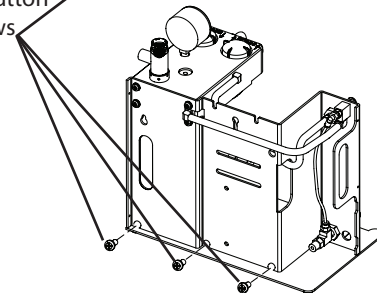


The WWV90TT CDS9000 Table Top Kit includes:

PART #	DESCRIPTION	QTY
32818B1	1/2" Button Head Screw	4
32352B2	Rubber Bumper (Attached to base)	4
32802B1	Base	1



Insert 1/2" Button Head Screws (32818B1)



©2009 Smiths Medical Family of companies. All rights reserved.

SurgiVet and the Smiths design mark are trademarks of the Smiths Medical family of companies. The symbol ® indicates the trademark is registered in the U.S. Patent and Trademark Office and certain other countries.

Manufactured By: Smiths Medical PM, Inc.
N7W22025 Johnson Drive
Waukesha, Wisconsin 53186
Phone: 1-262-513-8500
Toll-Free: (U.S.A. only) 1-888-745-6562
Fax: 1-262-542-0718
www.surgivet.com

smiths medical