

# VETERINARY INSTRUMENTATION

A HENRY SCHEIN COMPANY

ORTHOPEDICS

## Extracapsular Repair

**Rely** on Us™



## Monofilament Nylon Suture

Veterinary Instrumentation Nylon Suture Packs are supplied sterile, unless otherwise noted.

### Monofilament Nylon Suture Packs Product Guide

Weight Kgs (lbs.)*	Strength of Nylon	Nylon Line	Nylon Line + Crimp Tube	Nylon Line, Swaged Fabella Needle + Crimp Tube	Double Nylon Line + Swaged Fabella Needle	Double Nylon Line, Swaged Fabella Needle + 2 Crimp Tubes
Up to 15 (33)	50#	046573	046577	046579	046575	046574
15 - 20 (33 - 44)	80#	046582	046586	046588	046584	046583
20+ (44)	100#	046581	046566	046568	046564	046563

\*Guideline Only

#### Monofilament Nylon Suture Packs – Single Leader Line, Needle and Crimp Tube

MFR#	SKU#	Description
091155	046579	50# Nylon Line with Extra Small Swaged-On Needle, 10mm Crimp Tube
091156	046588	80# Nylon Line with Small Swaged-On Needle, 12mm Crimp Tube
091157	046568	100# Nylon Line with Medium Swaged-On Needle, 12mm Crimp Tube
091155/5	046578	50# Nylon Line with Extra Small Swaged-On Needle, 10mm Crimp Tube, 5 Pack
091156/5	046587	80# Nylon Line with Small Swaged-On Needle, 12mm Crimp Tube, 5 Pack
091157/5	046567	100# Nylon Line with Medium Swaged-On Needle, 12mm Crimp Tube, 5 Pack
091159	045218	5 of Each Single Leader Line Packs (50#, 80# and 100#), 15 Pack

#### Monofilament Nylon Suture Packs – Single Leader Line and Crimp Tube

091142	046577	50# Nylon Line, 10mm Crimp Tube
091137	046586	80# Nylon Line, 12mm Crimp Tube
091147	046566	100# Nylon Line, 12mm Crimp Tube

#### Monofilament Nylon Suture Packs – Double Leader Line, Needle and Crimp Tubes

091165	046574	50# Double Nylon Line with Extra Small Swaged-On Needle, Two 10mm Crimp Tubes
091166	046583	80# Double Nylon Line with Small Swaged-On Needle, Two 12mm Crimp Tubes
091167	046563	100# Double Nylon Line with Medium Swaged-On Needle, Two 12mm Crimp Tubes
091165/5	046576	50# Double Nylon Line with Extra Small Swaged-On Needle, Two 10mm Crimp Tubes, 5 Pack
091166/5	046585	80# Double Nylon Line with Small Swaged-On Needle, Two 12mm Crimp Tubes, 5 Pack
091167/5	046565	100# Double Nylon Line with Medium Swaged-On Needle, Two 12mm Crimp Tubes, 5 Pack
091169	046621	5 of Each Double Leader Line Packs (50#, 80# and 100#), 15 Pack

#### Monofilament Nylon Suture Packs – Double Leader Line and Needle

091160	046575	50# Double Nylon Line with Extra Small Swaged-On Needle
091161	046584	80# Double Nylon Line with Small Swaged-On Needle
091162	046564	100# Double Nylon Line with Medium Swaged-On Needle

## Monofilament Nylon Leader Line, Sterile Packs

MFR#	SKU#	Description
091141	046573	50# Nylon Line, 500mm (20")
091139	046582	80# Nylon Line, 500mm (20")
091148	046581	100# Nylon Line, 500mm (20")

## Fabella Needles, Non-Sterile

091144VS	045218	Fabella Needle, Extra Small, Regular Eye, 6 Pack
091144	046195	Fabella Needle, Small, Regular Eye, 6 Pack
091145	046194	Fabella Needle, Medium, Regular Eye, 6 Pack
091146	046196	Fabella Needle, Large, Regular Eye, 6 Pack

## Monofilament Nylon Crimp Tubes, Non-Sterile

091140	046569	Crimp Tube for 50# Line, 10mm Length
091136	046595	Crimp Tube for 80# and 100# Line, 12mm Length
091140/10	045218	Crimp Tube for 50# Line, 10mm Length, 10 Pack
091136/10	045218	Crimp Tube for 80# and 100#, 12mm Length, 10 Pack

## Monofilament Nylon Button Suture

A nylon fabella-tibial suture technique with potential for a more reliable quasi-isometric placement compared to previous nylon lateral suture techniques. There is also a reduced opportunity for the prosthesis to become intra-articular and rub against the lateral femoral condyle.

### Nylon Button Suture Packs – Single Leader Line, Needle, Button and Crimp Tube

NLBS50	045218	50# Nylon Line with Extra Small Swaged-On Needle, Nylon Button and 10mm Crimp Tube
NLBS80	045218	80# Nylon Line with Small Swaged-On Needle, Nylon Button and 12mm Crimp Tube
NLBS100	045218	100# Nylon Line with Medium Swaged-On Needle, Nylon Button and 12mm Crimp Tube
NLBSKIT	045218	2 of Each Nylon Button Suture Packs (50#, 80# and 100#), Crimping Forceps, Heavy Duty Needle Driver, and 1 of Each Anti-Skid Drill

## Nylon Lateral Button Suture Product Guide

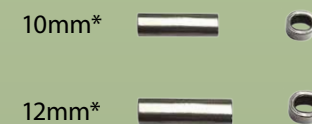
Weight Kgs (lbs.)*	Strength of Nylon
4 - 10 (9 - 22)	50#
10 - 20 (22 - 44)	80#
20 - 50 (44 - 100)	100#



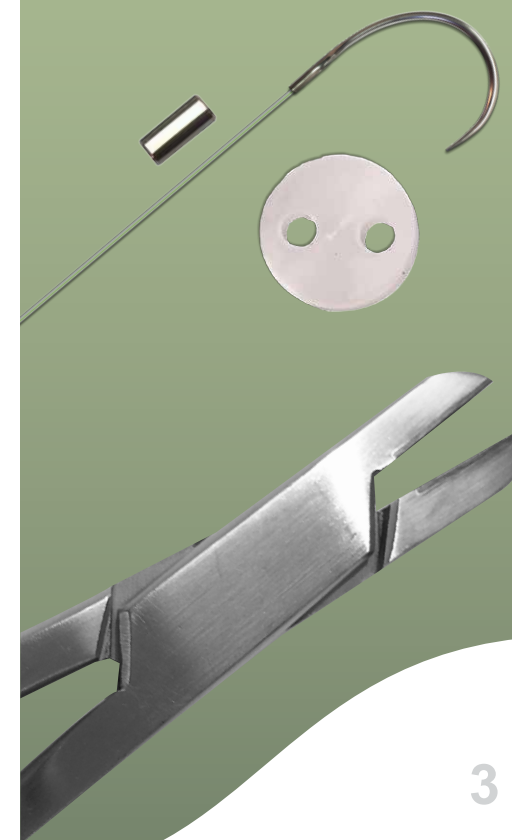
Scan here for Lateral Suture  
Procedural Video



Scan here for Lateral Suture  
Step-by-Step Guide



*\*Images to Scale*



## LigaFiba® Braided Suture

LigaFiba is an extremely strong surgical suture material composed entirely of Ultra High Molecular Weight Polyethylene. Weight for weight this material is 15 times stronger than steel and 2.5 times stronger than nylon. LigaFiba also has very good abrasion characteristics which is important when used in hostile environments such as lateral sutures and hip toggles. Veterinary Instrumentation LigaFiba Suture Packs are supplied sterile, unless otherwise noted.

### LigaFiba Braided Suture Packs Product Guide

Weight Kgs (lbs.)*	Strength of LigaFiba	LigaFiba Line + Swaged Fabella Needle	Double LigaFiba Line + Swaged Fabella Needle	LigaFiba Line, Swaged Fabella Needle + Crimp Tube	Double LigaFiba Line, Swaged Fabella Needle + 2 Crimp Tubes
<5 (11)	75#	046614	—	046618	—
Up to 15 (33)	150#	046611	—	046615	—
15 – 30 (33 to 66)	250#	046612	046602	046616	046604
30+ (66)	500#	046613	—	046617	—

\*Guideline Only

#### LigaFiba Suture Packs – Single Leader Line, Needle and Crimp Tube

MFR#	SKU#	Description
LFLSCR75	046618	75# LigaFiba Line with Extra Small Swaged-On Needle, 6mm Crimp Tubes
LFLSCR150	046615	150# LigaFiba Line with Extra Small Swaged-On Needle, 7.5mm Crimp Tubes
LFLSCR250	046616	250# LigaFiba Line with Small Swaged-On Needle, 12mm Crimp Tubes
LFLSCR500	046617	500# LigaFiba Line with Large Swaged-On Needle, 12.5mm Crimp Tubes
LFLSCR150/5	045218	150# LigaFiba Line with Extra Small Swaged-On Needle, 7.5mm Crimp Tubes, 5 Pack
LFLSCR250/5	045218	250# LigaFiba Line with Small Swaged-On Needle, 12mm Crimp Tubes, 5 Pack
LFLSCR500/5	045218	500# LigaFiba Line with Large Swaged-On Needle, 12.5mm Crimp Tubes, 5 Pack
LFLSCRSET	045218	5 of Each LigaFiba Single Line Packs (150#, 250# and 500#), 15 Pack

#### LigaFiba Suture Packs – Single Leader Line and Needle

LFLS75	046614	75# LigaFiba Line with Extra Small Swaged-On Needle
LFLS150	046611	150# LigaFiba Line with Extra Small Swaged-On Needle
LFLS250	046612	250# LigaFiba Line with Small Swaged-On Needle
LFLS500	046613	500# LigaFiba Line with Large Swaged-On Needle

#### LigaFiba Suture Pack – Double Leader Line, Needle and Crimp Tubes

LFLSCR250D	046604	250# Double LigaFiba Line with Small Swaged-On Needle, Two 12mm Crimp Tubes
------------	--------	---

#### LigaFiba Suture Pack – Double Leader Line and Needle

LFLSCR250D	046602	250# Double LigaFiba Line with Small Swaged-On Needle
------------	--------	---

## LigaFiba Crimp Tubes, Non-Sterile

LigaFiba Crimp Tubes are designed with a thicker wall compared to standard monofilament nylon crimp tubes. LigaFiba Crimp Tubes should only be used with LigaFiba suture.

MFR#	SKU#	Description
LFCRIMP75	046594	Crimp Tube for 75# LigaFiba Line, 6mm Length
LFCRIMP150	046591	Crimp Tube for 150# LigaFiba Line, 7.5mm Length
LFCRIMP250	046592	Crimp Tube for 250# LigaFiba Line, 12mm Length
LFCRIMP500	046593	Crimp Tube for 500# LigaFiba Line, 12.5mm Length

## LigaFiba® Lateral Button Suture

Lateral Button techniques pass both ends of the line through the same bone tunnel emerging from the same hole on the lateral aspect of the tibia in the region of the Tubercle of Gerdy. This change in path makes the prosthesis less likely to rub against the lateral femoral condyle and the whole loop is kept more reliably extra-capsular.

Veterinary Instrumentation LigaFiba Suture Packs are supplied sterile, unless otherwise noted.

### LigaFiba Lateral Button Suture Packs – Single Leader Line, Needle, Nylon Button and Crimp Tube

LFLBS75	046580	75# LigaFiba Line with Extra Small Swaged-On Needle, Nylon Button and 6mm Crimp Tube
LFLBS150	046570	150# LigaFiba Line with Extra Small Swaged-On Needle, Nylon Button and 7.5mm Crimp Tube
LFLBS250	046571	250# LigaFiba Line with Small Swaged-On Needle, Nylon Button and 12mm Crimp Tube
LFLBS500	046572	500# LigaFiba Line with Large Swaged-On Needle, Nylon Button and 12.5mm Crimp Tube

### LigaFiba Lateral Button Suture Pack – Double Leader Line, Needle, Nylon Button and Crimp Tube

LFLBS250D	046603	250# Double LigaFiba Line with Small Swaged-On Needle, Nylon Button and 12mm Crimp Tube
-----------	--------	---

### LigaFiba Lateral Button Suture Packs – Single Leader Line, Needle, Titanium Button and Crimp Tube

LFLBS150TI	045218	150# LigaFiba Line with Extra Small Swaged-On Needle, Titanium Button and 7.5mm Crimp Tube
LFLBS250TI	045218	250# LigaFiba Line with Small Swaged-On Needle, Titanium Button and 12mm Crimp Tube
LFLBS500TI	045218	500# LigaFiba Line with Large Swaged-On Needle, Titanium Button and 12.5mm Crimp Tube

### LigaFiba Lateral Button Suture Pack – Double Leader Line, Needle, Titanium Button and Crimp Tube

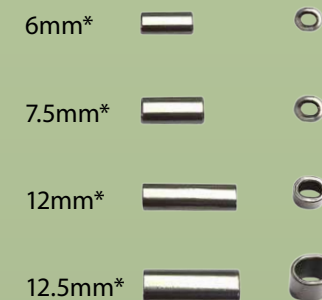
LFLBS250DTI	045218	250# Double LigaFiba Line with Small Swaged-On Needle, Titanium Button and 12mm Crimp Tube
-------------	--------	--

## LigaFiba® Iso Toggle Suture Packs

The LigaFiba® Iso Toggle Suture is placed via bone tunnels across the stifle at isometric points. The use of isometric points maximizes the range of movement of the stifle and protects the suture from repeated stretching and abrasion.

### LigaFiba Iso Toggle Suture Packs – LigaFiba Loop, Needle, Button and Toggle

LFFITS150	045218	150# LigaFiba Loop, Long Implantation Needle with Swaged-On Pulling Loop, Button and Toggle
LFFITS250	045218	250# LigaFiba Loop, Long Implantation Needle with Swaged-On Pulling Loop, Button and Toggle
LFFITS500	045218	500# LigaFiba Loop, Long Implantation Needle with Swaged-On Pulling Loop, Button and Toggle
LFISOKIT	045218	Iso Toggle Starter Kit, 2 of Each 250# and 500# LigaFiba Suture, 2.5mm and 3.5mm Anti-Skid Drill Bits



*\*Images to Scale*





## Suture Screws

MFR#	SKU#	Description
SS2006	047662	Cortical Suture Screw, 2mm Diameter, 1mm Hole, 6mm Length
SS2010	047661	Cortical Suture Screw, 2mm Diameter, 1mm Hole, 10mm Length
SS2708	047664	Cortical Suture Screw, 2.7mm Diameter, 1.5mm Hole, 8mm Length
SS2714	047663	Cortical Suture Screw, 2.7mm Diameter, 1.5mm Hole, 14mm Length
SS3512	047665	Cortical Suture Screw, 3.5mm Diameter, 2mm Hole, 12mm Length
SS3520	047666	Cortical Suture Screw, 3.5mm Diameter, 2mm Hole, 20mm Length
SS4016	047660	Cancellous Suture Screw, 4mm Diameter, 2mm Hole, 16mm Length
SS4024	047659	Cancellous Suture Screw, 4mm Diameter, 2mm Hole, 24mm Length
SSITUN	045218	Universal Insertion Tool for All Suture Screws
SSITKIT	045218	Suture Screw Set, 2 of Each Suture Screw (16 Total), 3 LigaFiba Sterile Packs (150#, 250# and 500#)

## Bone Anchors

SAP2.5	045218	Bone Anchor Pin, 2.5mm Diameter, 1mm Hole, 17mm Suture Anchor Length, 125mm Overall Length
SAP3	045218	Bone Anchor Pin, 3mm Diameter, 1mm Hole, 21mm Suture Anchor Length, 127mm Overall Length
SAP4	045218	Bone Anchor Pin, 4mm Diameter, 2mm Hole, 26mm Suture Anchor Length, 136mm Overall Length

## Ormrod Buttons

Useful for prevention from 'cheese wiring' through bone. Medical Grade Ultra High Molecular Weight Polyethylene (UHMWPE). Supplied Sterile.

090166/E	045218	Ormrod Button, 6mm Diameter, 2 Holes
090166/F	045218	Ormrod Button, 6mm Diameter, 2 Slots
090166/A	045218	Ormrod Button, 9mm Diameter, 2 Holes
090166/B	045218	Ormrod Button, 9mm Diameter, 2 Slots
090166/C	045218	Ormrod Button, 11mm Diameter, 2 Holes
090166/D	045218	Ormrod Button, 11mm Diameter, 2 Slots

## Titanium Buttons

The Titanium Buttons feature a slightly lower profile and resist higher peak loading compared to their UHMWPE equivalents. Supplied Sterile.

TIBUT6H	045218	Titanium Button, 6mm Diameter, 2 Holes
TIBUT6S	045218	Titanium Button, 6mm Diameter, 2 Slots
TIBUT9H	045218	Titanium Button, 9mm Diameter, 2 Holes
TIBUT6S	045218	Titanium Button, 9mm Diameter, 2 Slots
TIBUT11H	045218	Titanium Button, 11mm Diameter, 2 Holes
TIBUT11S	045218	Titanium Button, 11mm Diameter, 2 Slots

## Instruments

### Tensioning Devices

MFR#	SKU#	Description
091158	046293	Lateral Suture Tensioner, 6.5"
091132	046154	Simple Tension Device, Pair (Requires Two Gelpi Retractors, not included)
0013301	046210	Gelpi Retractor, Self-Retaining, Mini, 3.5"
001332	046211	Gelpi Retractor, Self-Retaining, Small, 5"
091132A	046292	Loop Tensioner, 7"

### Heavy Duty Needle Driver

091153	046179	Heavy Duty Needle Driver, Tungsten Carbide Jaws, 7.5"
--------	--------	---

### Single Action Crimper

091135	046599	Single Action Crimping Forceps, Straight Jaws, 7.5"
--------	--------	---

### Compound Action Crimpers

Compound Action Crimpers deliver a more powerful and controlled crimp compared to the Single Action Crimper. The angled jaw crimper also provides a better view than straight variants. The handles sit parallel to the table surface providing a more comfortable grip.

091135C	046169	Compound Action Crimper, Angled Jaws, 9"
091135M	046170	LigaFiba Compound Action Crimper, Straight Jaws, 9.5"

### LigaFiba Scissors

Due to the strength of the LigaFiba material special scissors are required for a clean, precise cut. LigaFiba material will damage standard scissors.

LFS140TC	046619	LigaFiba Scissors, Tungsten Carbide, 5.75"
----------	--------	--

### VI Black Series Battery Powered Drill

The VI Black Series Battery Powered Drill features a robust steel construction, German motor, and adjustable speed trigger making this drill smoother, quieter and more reliable than other models. The power tool is also smaller than standard human surgery power tools which is ideal for companion animal patients, traveling surgeons and situations where space is a premium. The drill is fully autoclavable (excluding batteries) and is small enough to fit inside larger autoclave bags. The drill has a reverse and is fitted with a standard three jaw 'Jacobs' style chuck with through cannulation.

Drill Max Speed: 0-1100RPM

Drill Max Noise: <40dB

Drill Weight: 990g (2.18 lbs.)

Blackdrill	047169	VI Black Series Drill Set - Black Drill, Battery, Battery Charger, Battery Transfer Sleeve, and Aluminium Storage Case
001612	045218	Synthes/AO Quick Release Drill Bit Adapter



Access the Veterinary Instrumentation catalog online at [www.henryscheinvet.com/vi/catalog](http://www.henryscheinvet.com/vi/catalog) or scan the code for additional products including drill bits, bone tunnel borers, general instrumentation and more.







Almost 30 years ago, John Lapish, a small animal veterinarian living and working in the United Kingdom sought out to adapt and engineer quality products to meet the needs of his small animal patients. Today, Veterinary Instrumentation continues the tradition of quality and ingenuity in Europe, Australia and most recently the United States. The product range has evolved to include an extensive selection of orthopedic implants and instruments, general instruments and power tools. Visit the Veterinary Instrumentation web page, [www.henryscheinvet.com/vi](http://www.henryscheinvet.com/vi), or scan the code to learn more.

# VETERINARY INSTRUMENTATION

A  HENRY SCHEIN® COMPANY



Call to Order: (855) HSAH-VET (472-4838) | (855) SCHEIN1 (724-3461)

[www.henryscheinvet.com](http://www.henryscheinvet.com)